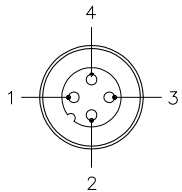
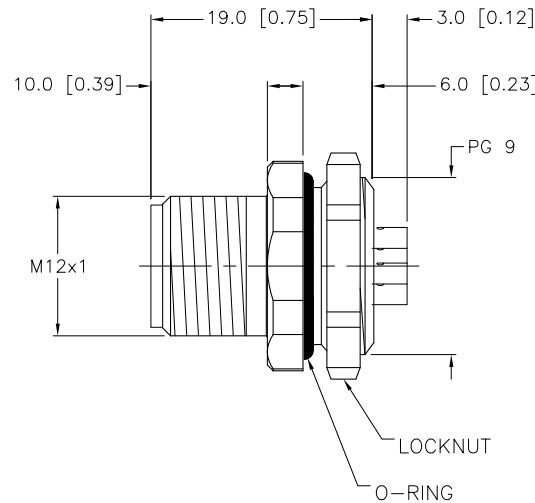
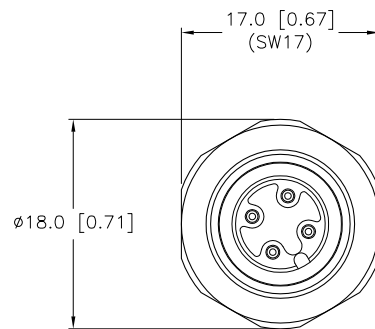


MALE END VIEW



SPECIFICATIONS

| | |
|--------------------------|-----------------------------------|
| CONTACT CARRIER MATERIAL | NYLON OR TPU |
| CONTACT MATERIAL/PLATING | BRASS/GOLD |
| HOUSING MATERIAL/PLATING | BRASS/NICKEL |
| O-RING MATERIAL | NITRILE |
| RATED CURRENT [A] | 4.0 A |
| RATED VOLTAGE [V] | 250 V |
| TERMINATION TYPE | SOLDER CUPS |
| MAX. WIRE SIZE | 20 AWG |
| TEMPERATURE RATING | -40°C to +105°C (-40°F to +221°F) |
| PROTECTION CLASS | MEETS NEMA 1,3,4,6P AND IEC IP68 |



SOURCE DRAWING - FOR REFERENCE ONLY

| | | | | | | |
|---|------------------------------------|---|---|---|---------------------------------|--------------|
| RELATED DOCUMENTS 1. 2. 3. 4. | 3RD ANGLE PROJECTION | THIS DRAWING IS PROPERTY OF TURCK INC. USE OF THIS DOCUMENT WITHOUT WRITTEN PERMISSION IS PROHIBITED. | | 3000 CAMPUS DRIVE MINNEAPOLIS, MN 55441 1-800-544-7769 (763) 553-7300 (763) 553-0708 fax turck.com | | |
| | MATERIAL SEE SPECIFICATIONS | ALL DIMENSIONS DISPLAYED ON THIS DRAWING ARE FOR REFERENCE ONLY | DRFT RJP | DATE 2/23/93 | DESCRIPTION FS 4.4 | |
| | | | DSGN | SCALE 1=.7 | | |
| | FINISH SEE SPECIFICATIONS | CONTACT TURCK FOR MORE INFORMATION | UNIT OF MEASUREMENT MILLIMETER [INCH] | | IDENTIFICATION NO. U9508 | REV E |
| DO NOT SCALE THIS DRAWING | | FILE: U9508 | | SHEET 1 OF 1 | | |

| | | | | |
|-----|--|-----|----------|---------|
| E | DRAWING PROCESSED AS PART OF ECO 33971 | CBM | 04/07/11 | 33971 |
| REV | DESCRIPTION | BY | DATE | ECO NO. |